

ChromaFlex

CF-REM Quad Destacker Modules



CF-REM
(front view)

The ChromaFlex destacker module is the receiving module of ATX's return expansion technology and complements both the I-HUB and TranScend stacker modules. The destacker module receives four 5-85 MHz (or two 5-204 MHz) return paths on a single wavelength. The high sensitivity optical receiver accepts any C-Band wavelength and destacks the four 5-85 MHz (or two 5-204 MHz) return signals. The four (or two) return paths are output to the rear facing RF connectors of the ChromaFlex chassis.

ATX's stacking return path solution provides unparalleled performance, flexibility and scalability for various network architectures and is the preferred solution for increasing return network capacity for HFC and RFoG applications.

Key Benefits

- Ideal for networks with limited available optical fibers
- A fully segmented node's four 5-85 MHz return signals can be transported on a single wavelength
- Up to 60 km transmission without EDFAs
- Capable of bringing back 20 ITU channels or 80 segments on a single fiber, making it ideal for RFoG
- Can operate without a dedicated DWDM Mux and DMux
- The destacker module supports an FSK receiver which allows the ChromaFlex controller card to monitor the corresponding I-HUB module parameters as a proxy

Applications

ATX's quad destacker modules have been deployed for numerous applications to receive return signals at the headend.

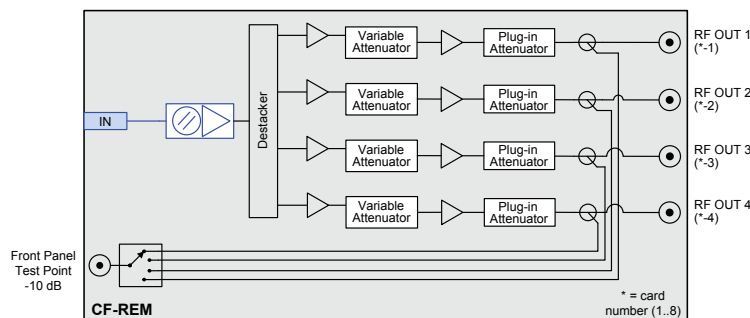
- Node segmentation
- Distribution networks
- RFoG applications
- FTTx and PON networks

Features

- Quadruples return path bandwidth
- 16 return paths per 1RU
- Programmable between four return paths 5-85 MHz or two return paths 5-204 MHz



CF-REM Quad Destacker (front view)



Functional Schematics

Specifications

Quad Destacker

CF-REM-4-M-L

OPTICAL PARAMETER			
INPUT POWER RANGE	-10 to 0 dBm		
WAVELENGTH	ITU 20-59		
RF OUTPUT			
RF PASSBAND ⁽¹⁾	5-42 MHz	5-85 MHz	5-204 MHz
NUMBER OF RF OUTPUTS	4	4	2
RF ATTENUATION	0-15 dB in 0.5 dB Steps		
RF OUTPUT LEVEL ⁽²⁾	≤ 40 dBmV		
RETURN LOSS	> 16 dB		
FREQUENCY RESPONSE	± 1 dB		
RF TEST POINT (Relative to Output Level)	-10 +/- 0.75 dB		
USER INTERFACE			
FRONT PANEL	Single LC/APC Optical Input Connector, RF Type F Test Point		
POWER			
POWER CONSUMPTION	14W		
ENVIRONMENTAL			
OPERATING TEMPERATURE	0°C to +50°C (+32°F to +122°F)		
STORAGE TEMPERATURE	-40°C to +85°C (-40°F to +185°F)		
HUMIDITY	5-85% Non-condensing		
PHYSICAL			
DIMENSIONS	ChromaFlex One-slot Module, 1.7"H x 3.7"W x 14.4"D (4.3H x 9.3W x 36.5D cm)		
WEIGHT	1.8 lbs (0.8 kg)		

NOTES:

(1) Frequency response for +/- 1 dB worst case, +/- 0.75 dB typical for 5-42 MHz.

(2) At full load over specified input optical power range.

Ordering Information

Part Number	Description
CF-REM-4-M-L	ChromaFlex Destacker Receiver Expansion Module, In-Band Monitoring, Four 5-85 MHz Returns, using LC/APC Connectors in a Single-slot ChromaFlex Module.

Products or features contained herein may be covered by one or more U.S. or foreign patents. Other non-ATX product and company names mentioned in this data sheet are the property of their respective companies.

© 2018 ATX Networks
Printed in Canada
Information in this document is subject to change without notice.
Rev. 07/18 (ANW1177)



ATX Networks

1-501 Clements Road West, Ajax, ON L1S 7H4 Canada
Tel: 905.428.6068 | Toll Free: 800.565.7488 | support@atxnetworks.com